

## μMP Series

### Up to 1200 Watts

**Total Power:** Up to 1200 Watts  
**Input Voltage:** 85 - 264 Vac  
120-300 Vdc  
**# of Outputs:** Up to 12

## Special Features

- Full Medical EN60601 approval
- PMBus
- High efficiency
- Current limit modification (foldback or constant current)
- High power density.
  - uMP4: 10.8 W/cu-in
  - uMP1: 15.1 W/cu-in
- Intelligent fan (speed control/fault status)
- Downloadable GUI from website
- uP controlled PFC input with active inrush protection
- Optional conformal coating
- Industrial temp range (-40 °C to 70 °C)
- No preload required
- Industrial shock/vibration (> 50G's)
- Low cost
- IEC or terminal block input
- Low profile 1U size

## Safety

- **UL** UL60950/UL60601-1
- **CSA** CSA22.2 No. 234 Level 5
- **VDE** EN60950/EN60601-1
- **BABT** Compliance to EN60950/EN60601 BS7002
- **CB** Certificate and report
- **CE** Mark to LVD
- **CCC** Approved
- **BSMI** Approved

## MicroMP 1U Multi Output



μMP4C shown



## Electrical Specifications

Input	
Input range:	85 - 264 Vac, 120 - 350 Vdc (limited to 250 Vac/300 Vdc in medical apps)
Frequency:	47 - 440 Hz
Inrush current:	40 A peak max. (soft start)
Efficiency:	Up to 91% @ full case load
Power Factor:	0.99 typ. meets EN61000-3-2 (n/a @ 440 Hz)
Turn-on time:	AC on 2 sec for uMP1 and 1.5 sec for uMP4, inhibit/enable 250 ms typical
EMI filter:	CISPR 22/EN55022 Level "B"
Leakage current:	300 μA max. @ 240 Vac for uMP1 and 500 μA max for uMP4; 47 - 63 Hz
Radiated EMI:	CISPR 22/EN55022 Level "B"
Holdover storage:	16.7 ms minimum (independent of input Vac, 0 °C to 50 °C))
AC OK:	Signal goes low indicating loss of AC input. Hold up = Full cycle ride thru (50 Hz)
Harmonic distortion:	Meets EN61000-3-2
Isolation:	Meets EN60950 and EN60601
Global Inhibit/Enable:	TTL, Logic "1" and Logic "0"; fan off when unit is inhibited
Input fuse (internal):	uMP1: 16 A/250 V TLAG, uMP4: 10 A / 250 V. (both lines fused)
Warranty:	2 years

## Environmental Specifications

Operating temperature:	-40 ° to 70 °C ambient. Derate each output 2.5% per degree from 50 °C to 70 °C. (-20 °C start up). Meets full spec after 1/2 load. 10 min warm-up
Storage temperature:	-40 °C to 85 °C
Electromagnetic susceptibility:	Designed to meet EN61000-4; -3, -6, -11 Level 3, Level 4 for -2, -4, -5
Humidity:	Operating; non-condensing 10% to 95% RH
Vibration:	MIL-STD-810E
MTBF demonstrated:	> 350,000 hours at full load, one uMP4 case + two modules, Telcordia SR-332 calculated MTBF
Altitude:	Up to 10k feet; derate linear to 50% from 10k-30k feet

## Output

Factory set point accuracy:	± 1%
Margining:	± 3 - 7% nominal analog (single output module only)
Overall regulation:	0.4% or 30 mV whichever is greater.
Ripple:	RMS: 0.1% or 10 mV, whichever is greater Pk-Pk: 1.0% or 50 mV, whichever is greater. Bandwidth limited to 20 MHz
Dynamic response:	< ± 5% or 250 mV, with 50% step load
Recovery time:	To within 1% in < 300 µsec
Reverse voltage protection:	100% of rated output current
<b>Thermal protection:</b> (OTP)	All outputs disabled when internal temp exceeds safe operating range.
Remote sense:	Up to 0.5 V total drop (not available on triple output module)
Single wire parallel:	Current share to within 5% of total rated current
DC OK:	± 5% of nominal.
Minimum load:	Not required
Housekeeping standby:	5 Vdc @ 1.0 A max. present whenever AC input is applied
<b>Module inhibit:</b>	Logic - output on with low or open. Different logic options available
Output/Output isolation:	> 1 Megohm, 500 V

Vout	Full load (A)	OVP trip max (V)	OCP trip typ (I-out%)	SCP trip max (I-out%)	Overshoot (max mV)	Peak Deviation (max mV)
<b>3V3 Module</b>						
0.9	40	TBD	130%	160%	150	± 250
3.3	40	5.96 V	130%	160%	250	± 250
3.6	40	6.32 V	130%	160%	250	± 250
<b>5 V Module</b>						
3.2	36	6.8 V	130%	160%	250	± 250
5	36	8.8 V	130%	160%	250	± 250
6	30	9.2 V	130%	160%	300	± 300
<b>12 V Module</b>						
6	25	12 V	130%	160%	300	± 300
12	20	18 V	130%	160%	600	± 600
15	16	20 V	130%	160%	750	± 750
<b>24 V Module</b>						
12	13	18 V	130%	160%	600	± 600
24	10	31 V	130%	160%	1200	± 1200
30	8	38 V	130%	160%	1500	± 1500
<b>48 V Module</b>						
28	7	TBD	130%	200%	1400	± 1400
48	5	TBD	130%	160%	2400	± 2400
60	4	TBD	130%	200%	3000	± 3000

## Case Line-Up

Case	Max Output	Dimensions	Connections	Max Current Amps
µMP4 - 4 Slot	400 W - 600 W	256.9±0.8 x 88.9±0.5 x 40.0±0.7 (10.11" x 3.5" x 1.57")	IEC/Terminal Block	9.91
µMP1 - 6 Slot	1000 W - 1200 W	256.9±0.8 x 127±0.5 x 40.0±0.5 (10.11" x 5" x 1.57")	IEC/Terminal Block	13.87

## Output Module Line-Up

Output Range (Vdc)	Max Current (Amps)	Max Power (Watts)	Module Codes Standard Outputs
0.9 - 3.6	40	144	A, B, C, D - 2, 2.2, 3, 3.3
3.2 - 6.0	36	180	E, F, G, H - 5, 5, 2, 5.5, 6
6.0 - 15.0	25	240	I, J, K, L, M, N - 8, 10, 11, 12, 14, 15
12.0 - 30.0	13	240	O, P, Q, R, S - 18, 20, 24, 28, 30
28.0 - 54.0	7	240	T, U, V, W, X, Y - 28, 30, 33, 36, 42, 48, 54, 60
5.0 - 28.0	4	96	Dual Output Module. Each output is rated to 96W (192 Watts total). Wide range is adjustable.
5.0 - 28.0	4	96	

## Ordering Info

Case Size	Module/Voltage/Option Codes	Case Option Codes	Software Code	Hardware Code
<b>μMPXY</b>	<b>S2E - DER - DLL</b>	<b>00</b>	<b>A</b>	<b>###</b>
<b>Case Size</b> Single - Phase Input where X = 4 = 1.57" x 3.5" x 10"; 400 W - 600 W, 4 Slots 1 = 1.57" x 5" x 10"; 1000 W - 1200 W, 6 Slots  Input Type where Y = T = Terminal Block C = IEC Connector, C14 B = IEC Connector, C16	<b>Module Codes</b> S2 = 200 W Single O/P (1 slot) D = 96 W/96 W Dual O/P Common Ground (1 slot) I = 96 W/96 W Dual O/P Isolated Ground (1 slot)  <b>Voltage Codes:</b> See Voltage Code Table	<b>Case Option Codes</b> First digit 0 - E = Parallel Code  Second digit 0 = No Options 1 = Reverse Air 3 = Global Enable 5 = Opt 1 + Opt 3	Factory assigned for modified standards	Factory assigned for modified standards

### Parallel Codes

Code	Slots in Parallel	Code	Slots in Parallel	Code	Slots in Parallel
1	1&2	6	1,2&3	B	1,2&3; 4&5
2	2&3	7	1,2,3&4	C	1,2,3&4; 5&6
3	3&4	8	1,2,3,4&5	D	1&2; 3&4; 5&6
4	4&5	9	1,2,3,4,5&6	E	1,2&3; 4,5&6
5	5&6	A	1&2; 3&4	0	no module in parallel

## Voltage Codes

### Standard Output Ratings

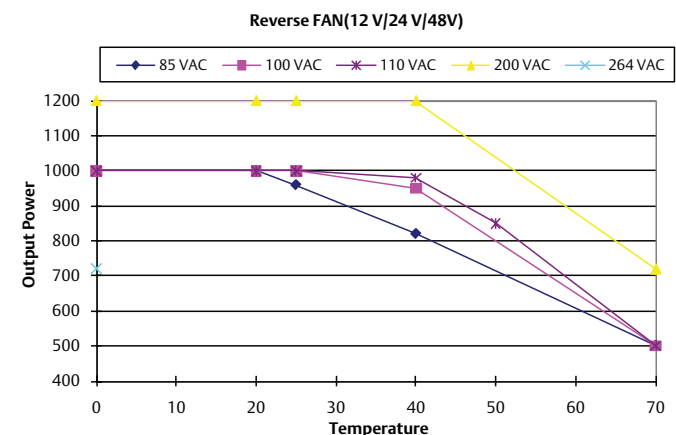
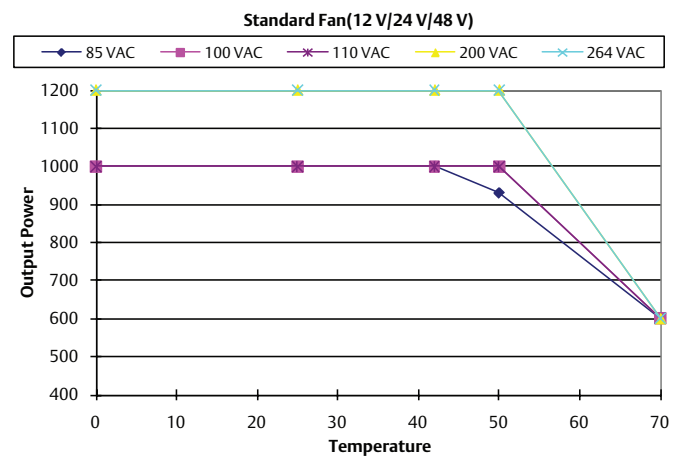
Module Output Voltage Code	Single Output ONE SLOT 240 Watts Max	Dual Output ONE SLOT 192 Watts Max
Module Identification	S2	D = Dual Common Ground I = Dual Isolated Ground

### Output Module Line-Up

Code	Volts	Output Current V1	Output Current	
			V1	V2
A	2.0 V	40.0	N/A	N/A
B	2.2 V	40.0	N/A	N/A
C	3.0 V	40.0	N/A	N/A
D	3.3 V	40.0	4.0*	4.0*
E	5.0 V	36.0	4.0	4.0
F	5.2 V	34.0	4.0	4.0
G	5.5 V	32.0	4.0	4.0
H	6.0 V	30.0	4.0	4.0
I	8.0 V	25.0	4.0	4.0
J	10.0 V	24.0	4.0	4.0
K	11.0 V	22.0	4.0	4.0
L	12.0 V	20.0	4.0	4.0
M	14.0 V	17.0	4.0	4.0
N	15.0 V	16.0	4.0	4.0
O	18.0 V	13.0	4.0	4.0
P	20.0 V	12.0	4.0	4.0
Q	24.0 V	10.0	4.0	4.0
R	28.0 V	8.6	3.4	3.4
S	30.0 V	8.0	N/A	N/A
T	33.0 V	7	N/A	N/A
U	36.0 V	6.7	N/A	N/A
V	42.0 V	5.7	N/A	N/A
W	48.0 V	5.0	N/A	N/A
X	54.0 V	4.4	N/A	N/A
Y	60.0 V	4.0	N/A	N/A

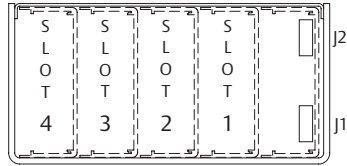
\* For "I" codes only

## Derating Curves - μMP1



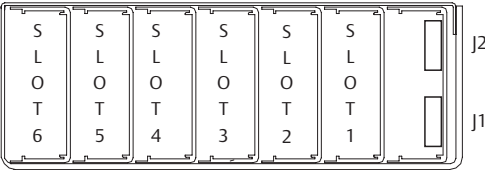
## S2 Module

μMP4 (AC input on opposite side)



Input  
μMP4 = 4 available slots      85-264 Vac      200-264 Vac  
400 W max.      600 W max.

μMP1 (AC input on opposite side)



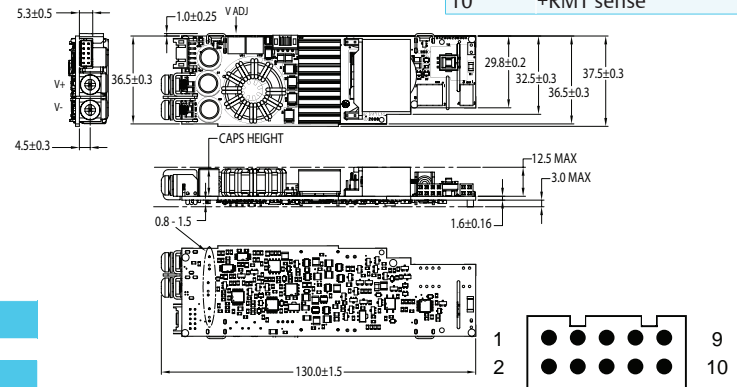
Input  
μMP1 = 6 available slots      85-264 Vac      200-264 Vac  
1000 W max.      1200 W max.



240 W

### DC Output Control & Signals (Single output)

Pin	Function
1	No connection
2	No connection
3	Current share
4	Module inhibit return
5	Module ISO inhibit
6	SCOM
7	-RMT sense
8	Margin
9	Remote margin / V prog.
10	+RMT sense



## Pin Connectors

Figure 1. AC Input



IEC Connector



Terminal Block

PEN L

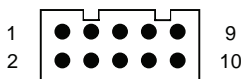
### AC Input

Pin	Function
1	AC neutral
2	AC line (hot)
3	Chassis (earth) ground

### J1 PFC Input Connector (control & signals)

Pin	Function
1	Input AC OK - "emitter"
2	Input AC OK - "collector"
3	Global DC OK - "emitter"
4	Global DC OK - "collector"
5	Spare
6	Global inhibit/optional enable logic "1"
7	Global inhibit/optional enable logic "0"
8	Global inhibit/optional enable return
9	+5 VSB housekeeping
10	+5 VSB housekeeping return

Figure 2. Connector J1 & J2



Mates with  
Landwin 2050S1000 Housing  
2053T011V Pin

OR

JST PHDR-10VS Housing  
JST SPHD-002T-P0.5 (28-24)  
JST SPHD-001T-P0.5 (26-22)

Connector Kit Part No.:  
70-841-023

### J2 PC Bus Output Connector

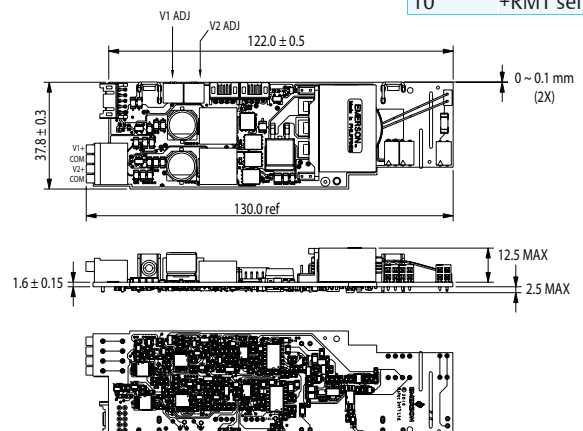
Pin	Function
1	5 Vcc bus
2	Serial data signal (SDA)
3	Secondary return (COM)
4	Serial clock signal (SCL)
5	Address bit 2 (A2)
6	No connection
7	Address bit 1 (A1)
8	No connection
9	Address bit 0 (A0)
10	No connection

## Dual Module



### DC Output Control & Signals (Dual output)

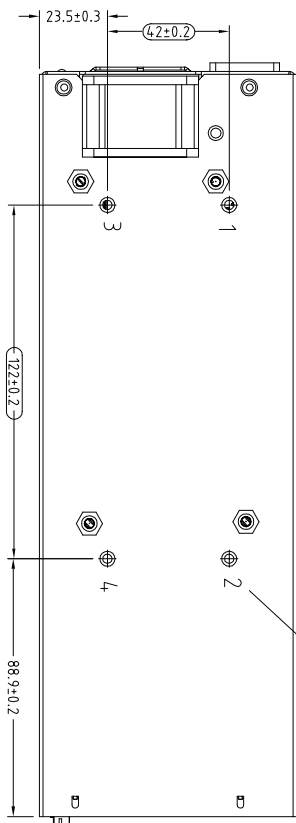
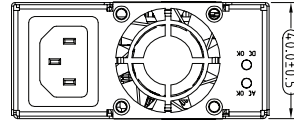
Pin	Function
1	-RMT sense V2
2	+RMT sense V2
3	No connection
4	Module inhibit rtn
5	Module ISO inhibit
6	SCOM
7	-RMT sense V1
8	No connection
9	No connection
10	+RMT sense V1



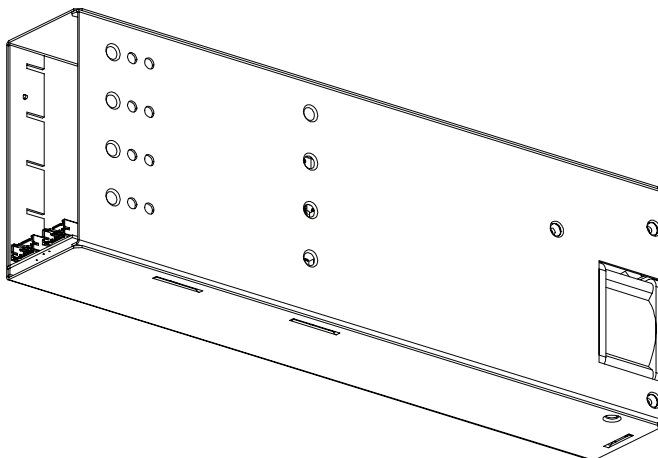
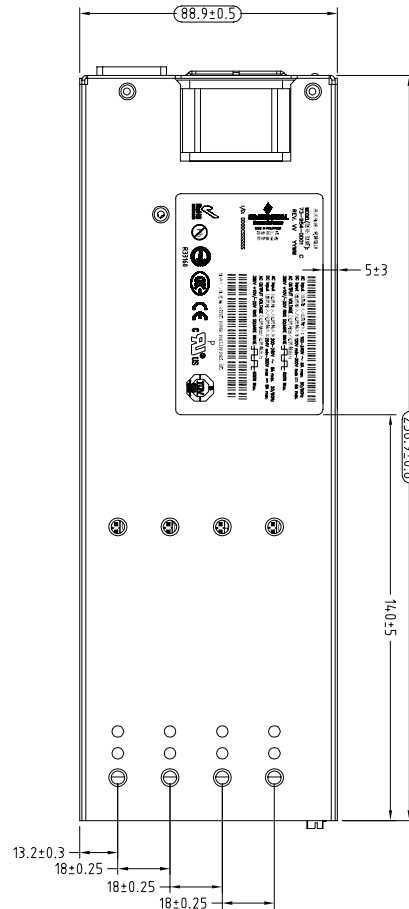
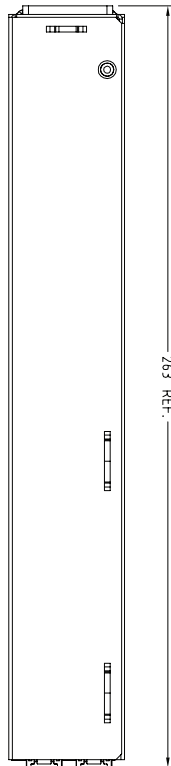
**μMP Series**  
**μMP4 (400/600 Watts Max)**

Case Size: μMP4: 10.11" x 3.5" x 1.57" (256.9mm x 88.9mm x 40.0mm)  
Weight: μMP4 Case: 1.96 lbs • Single O/P: 0.22 lb. • Dual O/P: 0.16 lb.  
• Blank: 0.06 lb.

Rev. 07.18.11\_10  
μMP Series  
5 of 6



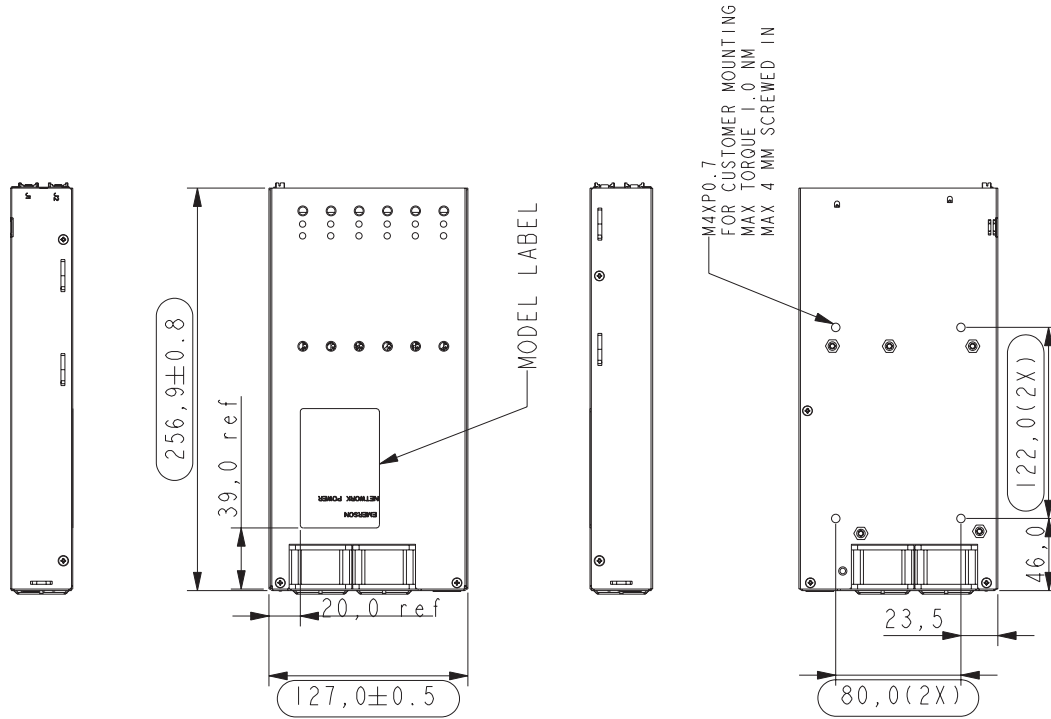
FOR M4 SCREW SYSTEM MOUNTING.  
MAX. TORQUE 1.0Nm.  
MAX. 4mm SCREWED IN.



**μMP Series**  
**μMP1 (1000/1200 Watts Max)**

Case Size: μMP1: 10.11" x 5" x 1.57" (256.9mm x 127mm x 40.0mm)  
Weight: μMP1 Case: 2.78 lbs • Single O/P: 0.22 lb.  
• Dual O/P: 0.16 lb. • Blank: 0.06 lb.

Rev. 07.18.11\_10  
μMP Series  
6 of 6



**Americas**  
5810 Van Allen Way  
Carlsbad, CA 92008  
USA  
Telephone: +1 760 930 4600  
Facsimile: +1 760 930 0698

**Europe (UK)**  
Waterfront Business Park  
Merry Hill, Dudley  
West Midlands, DY5 1LX  
United Kingdom  
Telephone: +44 (0) 1384 842 211  
Facsimile: +44 (0) 1384 843 355

**Asia (HK)**  
14/F, Lu Plaza  
2 Wing Yip Street  
Kwun Tong, Kowloon  
Hong Kong  
Telephone: +852 2176 3333  
Facsimile: +852 2176 3888

For global contact, visit:  
[www.Emerson.com/EmbeddedPower](http://www.Emerson.com/EmbeddedPower)  
[techsupport.embeddedpower@emerson.com](mailto:techsupport.embeddedpower@emerson.com)

While every precaution has been taken to ensure accuracy and completeness in this literature, Emerson Network Power assumes no responsibility, and disclaims all liability for damages resulting from use of this information or for any errors or omissions.

**Emerson Network Power.**  
The global leader in enabling business-critical continuity.

- AC Power
- Connectivity
- DC Power
- Embedded Computing
- **Embedded Power**
- Monitoring
- Outside Plant
- Power Switching & Controls
- Precision Cooling
- Racks & Integrated Cabinets
- Services
- Surge Protection

**EmersonNetworkPower.com**

Emerson Network Power and the Emerson Network Power logo are trademarks and service marks of Emerson Electric Co. ©2011 Emerson Electric Co.

